

NEXA |

www.nexaexperience.com





THE NEW CIAZ

There's brilliance in its design. There's an air of elegance about it. It's built with indulgence at its core. And there are innovations that stand out. It takes just one glance, just one drive to realise, this is no ordinary experience. This is a dream come true. This is the New Ciaz. Created and perfected for inspiration. So, think, create and innovate. With the Ciaz, you are ready to seek out the new.

CREATED TO INSPIRE ELEGANCE

It's fine to look again, and again and once more. To steal another glimpse of this charmer called Ciaz. The striking new grille and slick front bumpers give this stunner a surprisingly smooth look. The LED projector headlamps with DRL and LED fog lamps lend an all white brilliance to its persona. Made with gracefully designed LED tail lamps, Ciaz is what elegance looks like, cruising through the city.



The image shows the front interior of a car. The seats are upholstered in a light beige or cream-colored leather with visible stitching. The dashboard and center console are finished in a dark, possibly black, material. The steering wheel is also dark. The car is parked in a city, with a blurred view of buildings and a street visible through the windows. The overall atmosphere is one of luxury and comfort.

CREATED TO INSPIRE LUXURY

Imagine a lounge. Gorgeous. Indulgent. Comfortable. Expansive. That's the experience. The feeling of Ciaz.

The charm begins the moment you step inside and breathe in the most spacious cabin. Followed by your eyes feasting on the birch blonde wood finish with satin chrome accents, your skin embracing the luxurious seating, and your whole being giving in to this thoughtfully designed beauty quietly, calmly.

CREATED TO INSPIRE PERFORMANCE

New K15 Petrol Engine

Engineered for a great driving experience, this engine is the new and the next in the world of power. And with the Progressive Smart Hybrid Technology, it's ready for the future. The engine's torque and power output gives you an experience that simply enhances your drive. With this new engine, Ciaz ensures your drive is smoother than ever and packed with renewed power. Created to inspire a better tomorrow.





CREATED TO INSPIRE COMFORT

Relax through the busiest of lanes, the dreaded rush hour, the long tiring signals. Unwind and enjoy your drive as the Ciaz with Automatic Transmission moves like a dream, giving you a comfortable drive everywhere.

The Ciaz Automatic Smart Hybrid also comes with enhanced safety features like the Electronic Stability Program (ESP) with Hill Hold Assist. These thoughtfully designed features are sure to make your driving experience safer.



Electronic Stability Program



Hill Hold Assist



CREATED TO INSPIRE INNOVATION

Call. Connect. Talk. Message. Play. Listen. Touch. Search. Navigate. That's just some of the few things you can do with the SmartPlay Infotainment System. Appointed with Apple CarPlay*, Android Auto** and MirrorLink†, you can seamlessly connect your smartphones and access unlimited entertainment and uninterrupted connectivity. Step inside the Ciaz and experience a whole different world of innovation.



SUZUKI-TECT BODY



SEAT BELT PRE-TENSIONERS WITH FORCE LIMITERS



FULL FRONTAL IMPACT COMPLIANCE, FRONTAL OFFSET IMPACT COMPLIANCE, SIDE IMPACT COMPLIANCE



PEDESTRIAN PROTECTION COMPLIANCE



DUAL FRONT AIRBAGS



ABS WITH EBD



ISOFIX CHILD SEAT ANCHORAGES

- SUZUKI-TECT BODY
- DUAL FRONT AIRBAGS
- ABS WITH EBD
- SEAT BELT PRE-TENSIONERS WITH FORCE LIMITERS
- ISOFIX CHILD SEAT ANCHORAGES
- PEDESTRIAN PROTECTION COMPLIANCE
- FULL FRONTAL IMPACT COMPLIANCE, FRONTAL OFFSET IMPACT COMPLIANCE, SIDE IMPACT COMPLIANCE

NEXA
Safety Shield

Standard Across All Variants



CREATE. INSPIRE.

NEXA is on a journey to create new experiences, new lifestyle, new culture and new products that inspire.
It is a drive of creation. A quest to inspire. A celebration of the creators. An ode to the creators who inspire.



CREATED
TO INSPIRE
A VIVID WORLD



METALLIC MAGMA GRAY

PEARL MIDNIGHT BLACK

NEXA BLUE

TECHNICAL SPECIFICATIONS

| DIMENSIONS | PETROL SMART HYBRID | DIESEL SMART HYBRID |
|----------------------------|-----------------------|--|
| Length (mm) | 4490 | |
| Width (mm) | 1730 | |
| Height (mm) | 1485 | |
| Wheelbase (mm) | 2650 | |
| Boot Space (L) | 510* | |
| Turning Radius (m) | 5.4 | |
| Seating Capacity | 5 | |
| DRIVE, TRANSMISSION | | |
| Drive System | | 2WD |
| Transmission | 5MT/4AT | 5MT |
| ENGINE | | |
| Valve System | | DOHC |
| Engine Capacity (cc) | 1462 | 1248 |
| Bore x Stroke (mm) | 74 x 85 | 69.6 x 82 |
| Max. Power (kW/RPM) | 77/6000 | 66/4000 |
| Max. Torque (Nm/RPM) | 138/4400 | 200/1750 |
| Fuel Tank Capacity (L) | | 43 |
| Fuel Efficiency (km/l)** | 21.56(MT) / 20.28(AT) | 28.09 |
| Emission Standard | | BS IV |
| Idle Start Stop | | ✓ |
| Gear Shift Indicator | ✓(MT) | ✓ |
| Brake Energy Regeneration | | ✓ |
| Torque Assist | | ✓ |
| DRIVE PERFORMANCE | | |
| Front Brakes | | Ventilated Disc |
| Rear Brakes | | Drum |
| Front Suspension | | McPherson |
| Rear Suspension | | Torsion Beam |
| Tyre Size | | 185/65 R15 (Steel & Alloy) 195/55 R16 (Alloy) |
| WEIGHTS | | |
| GVW (kg) | 1520(MT) | 1590 |



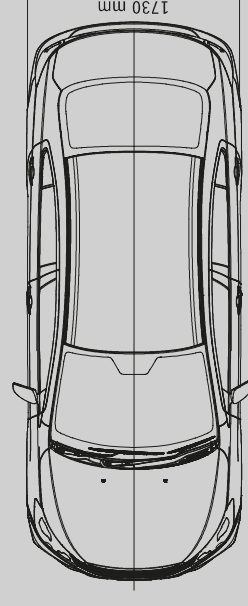
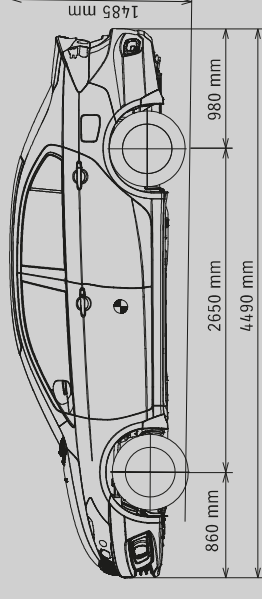
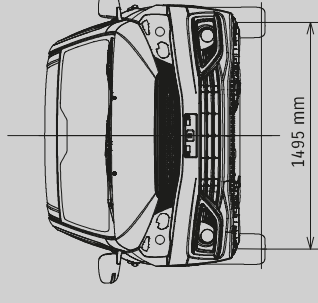
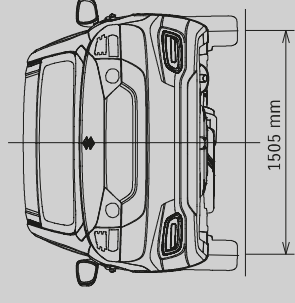
16" Precision Cut Alloy



15" Silver Alloy



15" Steel Wheels With Full Wheel Caps



Maruti Suzuki India Limited reserves the right to change, without notice, price, colours, equipment specifications, and models and also to discontinue models and/or replace any part or accessory with any other product. Accessory and feature shown in the pictures may not be a part of standard equipment and will differ according to the variant. Any offers made will be subject to availability of the product. For more details, contact your nearest NEXA Dealership.

If the vehicle's speed exceeds 80 km/h, then the primary level warning will beep twice. And if the speed goes above 120 km/h, the secondary level warning will keep beeping. If the vehicle's speed slows down to 118 km/h, it will beep twice and the buzzer will stop. This buzzer does not indicate any malfunction in the vehicle.

All the safety features are standard and available across all the variants.